



Your AmiNET110 IP based set top box is a state of the art gateway to the next generation of interactive digital television services. It gives you access to Video on Demand, Multicast Video and the World Wide Web on a standard television.



AmiNET110 - FCC Statement of Compliance

This device complies with part 15 of the FCC Rules. Operation is subject to the following two conditions: (1) This device may not cause harmful interference, and (2) this device must accept any interference received, including interference that may cause undesired operation.

Changes or modifications not expressly approved by the party responsible for compliance could void the user's authority to operate the equipment.

USA contact:

Amino Communications,
370 Elan Village Lane
Suite 120
San Jose, Calif 95132
USA.

Tel: +1 (408) 943 8007

Fax: +1 (425) 930 0013

stbsupport@aminocom.com

Unit should only be powered using plug-top PSU supplied.

Ethernet must be connected using CAT5 STP cable through out the complete network.

AV connection must be connected using the AV cable supplied.

S/P-DIF must be connected using standard digital audio cable.

RF connections should be made using standard 75 Ohms TV coax cables.

USB connection should use a standard screened cable, max length 1 metre.



Table of Contents

Contents	3
Your AmiNET110	4
AmiNET110 Features.....	4
Installation	6
AmiNET110 connected to TV, no RF.....	6
AmiNET110 connected to TV via RF.....	7
AmiNET110 connected to TV via Amino A/V, to amplifier via SPDIF & to VCR via RF.....	8
Mounting the AmiNET110	9
Horizontal Mounting.....	9
Vertical Mounting.....	9
Using the AmiNET110	10
Buttons & key combinations.....	11
Standards	14



Your AmiNET110

Your AmiNET110 IP based set top box is a state of the art gateway to the next generation of interactive digital television services. It gives you access to Video on Demand, Multicast Video and the World Wide Web on a standard television.

The AmiNET110 is simple to install and use. After unpacking your box you should have the following:

- This User Guide
- 1 x AmiNET110 Set Top Box
- 1 x Plug top power supply suitable for your location
- 1 x Stand
- 1 x IR Remote Control
- 3 x AAA Batteries
- 1 x Amino A/V cable

AmiNET110 Features

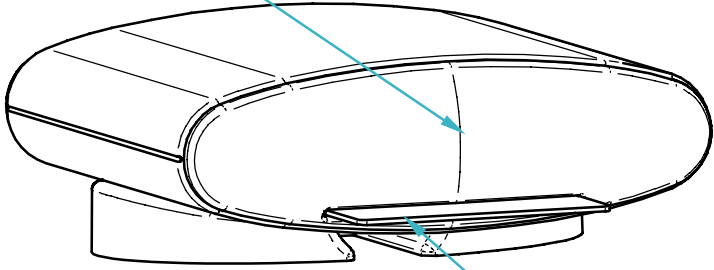
The adjacent images will help you familiarize yourself with the AmiNET110 before you connect it to your television.

The front of the STB has a single LED that indicates power and IR reception. While the AmiNET110 is powered the LED will illuminate. During IR reception (e.g. when you use the remote control) the LED will flicker to indicate that the product is receiving the signal. The front of the unit also has a slot for a Smart Card (not supplied).

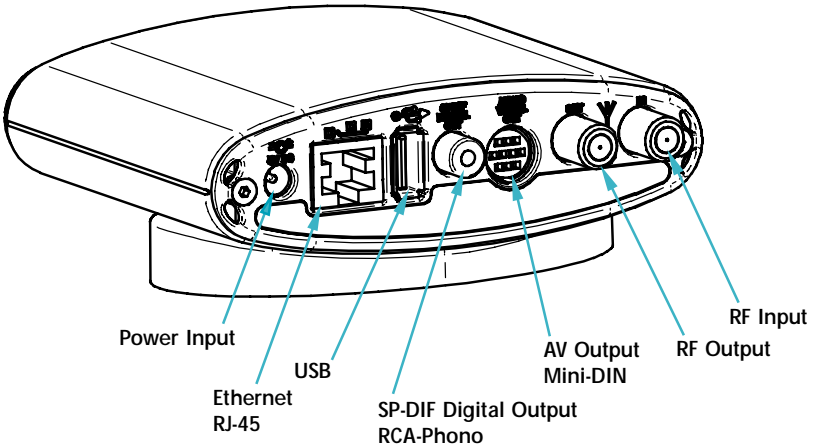
The AmiNET110 can be installed horizontally or vertically. (See later section on mounting.)



Power/Ir Receive Indicator



Smart Card
(Not supplied)



Power Input

Ethernet
RJ-45

USB

SP-DIF Digital Output
RCA-Phono

AV Output
Mini-DIN

RF Input

RF Output



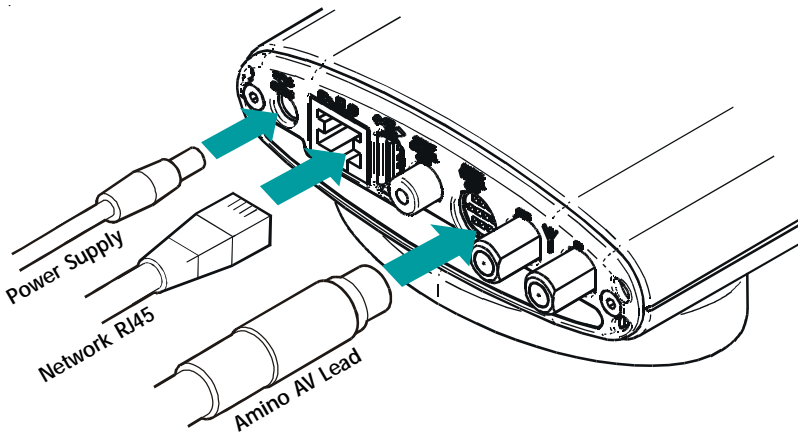
Installation

The AmiNET110 can be installed quickly and easily by following these step-by-step instructions. You can use the Amino A/V Cable (supplied) or an RF cable to connect the AmiNET110 to your Television. If you have the capability, you can also connect the AmiNET110 to a stereo amplifier via the SP-DIF digital output.

AMINET110 connected to TV, no RF

This is the simplest installation and gives access to the majority of the functionality of the box. The first time it is powered it is possible that the box will spend a few moments updating itself with the latest software (available from your service provider). Once completed, the box will navigate to your service provider's home page.

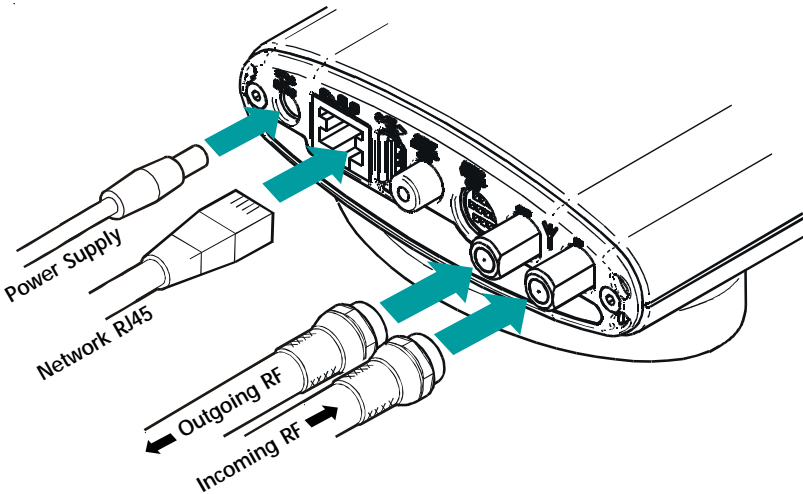
- Connect the Amino A/V lead to the AmiNET110 and to your TV.
- Connect the Ethernet cable to the AmiNET110 and to your service providers Network Access point.
- Connect the power supply.



AMINET110 connected to TV via RF

This scenario should be used if your television has no composite, s-video or SCART inputs. (Where available it is recommended to connect via the composite, s-video or RGB SCART inputs).

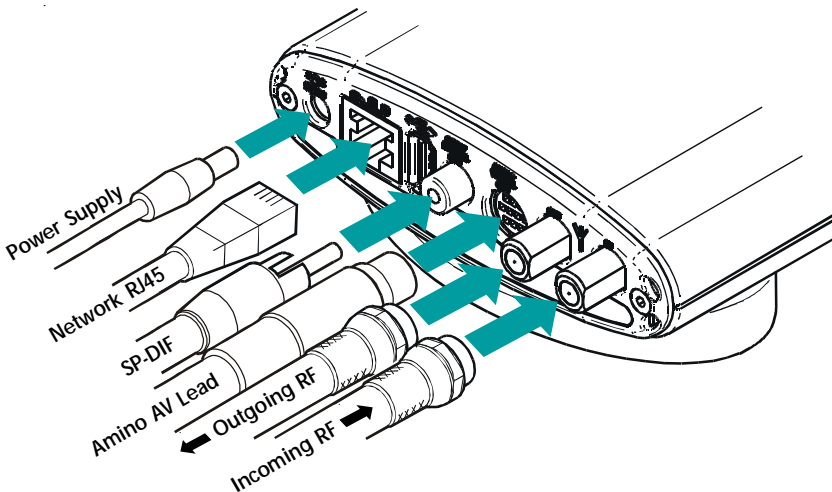
- Connect your incoming RF cable (from your aerial, cable TV box, etc) to the RF In on the AmiNET110 and connect an RF cable from the AmiNET110's RF Out to your television.
- Connect the Ethernet cable to the AmiNET110 and to your service providers Network Access point.
- Connect the power supply.



AmiNET110 connected to TV via Amino A/V, to amplifier via SP-DIF and to VCR via RF

This scenario gives you access to all the functionality of the AmiNET110. Digital Audio is delivered to your Home Theater system via SPDIF, video is delivered to your television via the Amino A/V lead, and your existing RF signal is passed through the AmiNET110 to your VCR.

- Connect the Amino A/V lead to the AmiNET110 and your television.
- Connect a coaxial SPDIF cable to the AmiNET110 and your Digital Audio capable amplifier.
- Connect the incoming RF signal from your aerial/cable box to the RF In on the AmiNET110.
- Connect an RF cable from the RF Out on the AmiNET110 to the RF Input on your VCR.
- If required, connect the RF Out on your VCR to your television
- Connect the Ethernet cable (not supplied) to the AmiNET110 and to your service providers Network Access point.
- Connect the power supply.

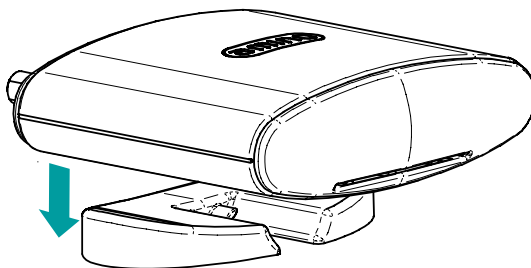


Mounting the AmiNET110

The AmiNET110 can be mounted either horizontally or vertically, and is supported securely in both orientations.

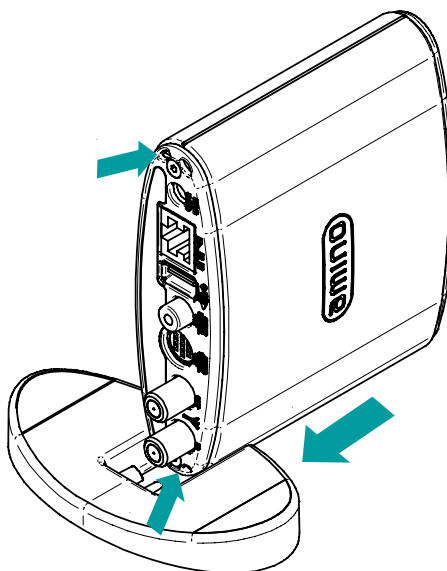
Horizontal mounting

To mount the unit horizontally simply place it down onto the upper surface of the base moulding, which is contoured to reflect the product's shape. The 2 rubber pads will retain the AmiNET110 in position.



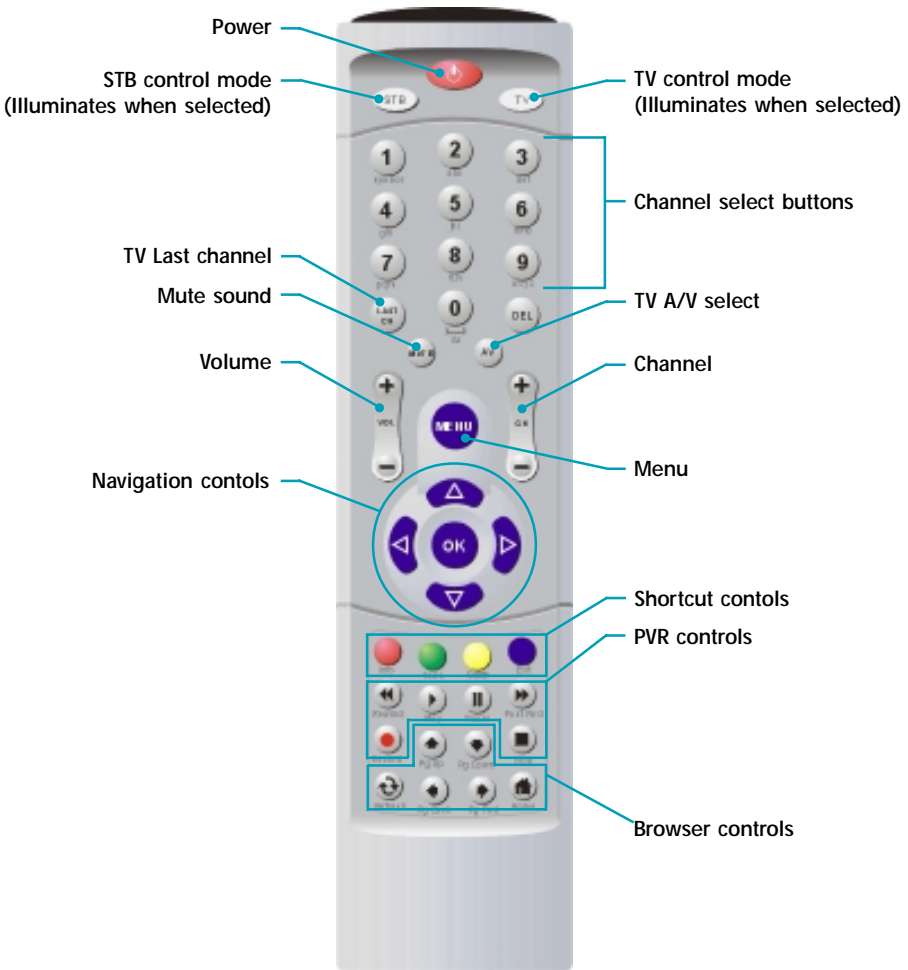
Vertical mounting

To ensure stability the AmiNET110 can be mounted vertically. At either end of the rear panel moulding there are a pair of elliptical holes which can be pushed onto the 2 elliptical prongs on the base moulding. Push the AmiNET110 onto the 2 prongs firmly to mount the product vertically.



Using The AmiNET110

All user interaction with the AmiNET110 is handled via the supplied remote control or with an optional keyboard. The supplied IR remote control is illustrated below:



Buttons and key combinations

The buttons on the IR remote control and/or key combinations on the keyboard can be used to turn the set top box on/off, control a VOD video and access the Web. These buttons/key combinations are described below.

Turning the box on/off

The power button toggles the box between Standby and On.

Video control

The following buttons / keyboard keys can be used to control video on demand:

- Stop [■] - Stops video and makes the screen go blank.
- Rew [◀◀] - Moves you backwards through the video.
- FF [▶▶] - Moves you forwards through the video.
- Play/Pause [▶ / ||] - Toggles between normal play and pause. Will resume normal play from FF or Rew.

In addition to video on demand controls, the remote control has the following functions that control multicast video as well:

- 0..9 - Change the channel to the number selected. 0-9
- CH +/- Increase/Decrease the channel number by 1.
- VOL +/- Increase/Decrease the volume.
- MUTE -Toggle the sound on/off.

Web control

The following buttons can be used to control access to the Web:

- SELECT - Tilt to move the mouse pointer/highlight and press to select.



-
- HOME - Display your service providers home page.
 - BACK - Return to the previous Web page.
 - FORWARD - Move to the next Web page (if you have previously moved back at least one page).
 - PAGE UP - Scroll page up.
 - PAGE DOWN - Scroll page down.
 - STOP - Abort the attempt to fetch the requested page.
 - RELOAD - Reload the current page to refresh it.

Changing / resetting the user preferences

Pressing the Munu key takes you to the preferences page. Enter the new value or values required and click on the OK button. The user preferences will be changed and a 'Preferences updated OK' message will be displayed. You can leave the preferences unchanged by selecting Cancel. This will also inform you that your preferences were updated.

Configurable user preferences are:

- Keyboard Delay Factor - The time that elapses before characters repeat when you hold down a key. (1 - 4)
 - Keyboard Repeat Rate - How quickly characters repeat when you hold down a key. (0, 2-30 cs) A value of 0 means keys will not repeat at all.
 - Volume Minimum and Maximum – These set constraints on the Vol +/- keys.
 - TV Display format – There are three choices here
1. Standard (4:3) Mode - Widescreen content is viewed full screen, some of the picture at the left and right edges will be cropped.
 2. Letterbox mode – Widescreen content is viewed in a letterbox, black bars will be present at the top and bottom of the picture and the entire width of the transmission is visible.



-
3. Widescreen TV – If you have a Widescreen TV (16:9) select this option to properly utilize your TV's geometry.
- Primary Language – First choice for subtitle selection.
 - Secondary Language – Second choice for subtitle selection.



Standards

Environmental

Storage: -5°C to +45°C 5% to 95% humidity
Usage: -5°C to +45°C 5% to 95% humidity

Safety

EN60950-1 Safety of information processing and business equipment with additional testing under the CB scheme for the following countries:

Denmark (DK), Finland (FI), Germany (DE), Ireland (IE), Japan (JP), Korea (KR), Norway (NO), Spain (ES), Sweden (SE), Switzerland (CH) and United Kingdom (GB)

CSA 22.2 No. 60950-00 3rd Edition
UL60950 3rd Edition
UL1310 (AC & DC Adapters) (for PSU)

EMC

EN55022: Specifications for Limits and Methods of measurement IT equipment - radio disturbance characteristics..
EC 89/336/EEC: The EMC Directive.
FCC Part 15.



